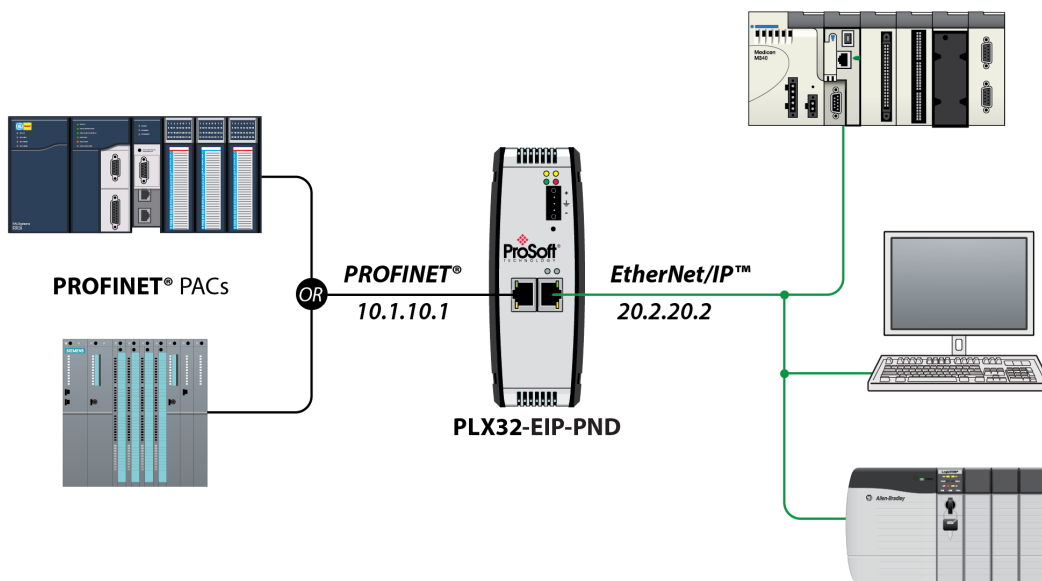


DATASHEET

EtherNet/IP™ to PROFINET® Gateway for dual subnets PLX32-EIP-PND

The EtherNet/IP to PROFINET device gateway offers bi-directional data transfers between a PROFINET Controller and EtherNet/IP networks. The PLX32-EIP-PND gateway is a stand-alone DIN-rail mounted unit that provides two Ethernet ports, with each port using a different subnet.

The onboard SD Card slot (SD card optional) is used for storing configuration files that can be used for recovery, transferring the configuration to another gateway, or general configuration backup. The EtherNet/IP Driver uses Class 1 I/O connections or Class 3 Message instructions. The PROFINET driver operates as a PROFINET Class A device.



Features

- ◆ ODVA Approved
- ◆ PROFINET v2 certification with PROFINET Class A compliance
- ◆ EtherNet/IP and PROFINET certifications ensure the device is compatible with their respective network
- ◆ Field-tested with multiple PROFINET controllers from multiple vendors
- ◆ Remotely view and diagnose EtherNet/IP and PROFINET networks
- ◆ Embedded EDS AOP provided to allow for seamless integration to Studio 5000 and RSLogix 5000
- ◆ Using EtherNet/IP I/O connections, no ladder programming is required
- ◆ Multiple I/O connections to allow for increased throughput
- ◆ Video setup tutorial provided on www.prosoft-technology.com
- ◆ Secure module configuration via module switch (v1.04 and greater)
- ◆ Up to 10,000 16-bit registers can be used to exchange large amounts of data

EtherNet/IP™ Specifications

Specification	Description
Number of Class 3 Server Connections	5
Supported PLC Types	PLC2, PLC5, SLC, CLX, CMLPX, MICROLX
Supported Message Types	PCCC and CIP
Class 3 Client Connections	Connected: 2 Unconnected: 1
Number of Class 1 I/O Connections	8
I/O connection sizes in/out	496/496 bytes
Max RPI time	5 ms per connection
CIP Services Supported	0x4C - CIP Data Table Read 0x4D - CIP Data Table Write
Command List	Support for 100 commands per Client, each configurable for command type, IP address, register to/from addressing and word/bit count.
Command Sets	PLC-2/PLC-3/PLC5 Basic Command Set PLC5 Binary Command Set PLC5 ASCII Command Set SLC500 Command Set

PROFINET Specifications

Specification	Description
Driver Type	Class A Device
PROFINET I/O Data	1440 bytes IN, 1440 bytes OUT
Exchange Types	Cyclic Real-time (RT) and Acyclic Data

Hardware Specifications

Specification	Description
Power Supply	24 VDC nominal 10 to 36 VDC allowed Positive, Negative, GND Terminals
Current Load	24 VDC nominal @ 300 mA 10 to 36 VDC @ 610 mA maximum
Operating Temperature	-25°C to 70°C (-13°F to 158°F)
Storage Temperature	-40°C to 80°C (-40°F to 176°F)
Relative Humidity	5% to 95% RH with no condensation
Shock	IEC 60068-2-27; 15G @ 11ms, 3-Axis (Operational) IEC 60068-2-27; 30G @ 18ms, 3-Axis (Non-Operation)
Vibration	IEC 60068-2-6; 5G @ 10Hz to 150Hz
Dimensions (H x W x D)	5.38 x 1.99 x 4.38 in 13.67 x 5.05 x 11.13 cm
Ethernet Ports (2)	10/100Mbit full- and half-duplex RJ45 Connector Electrical Isolation 1500 Vrms at 50 Hz to 60 Hz for 60 seconds, applied as specified in section 5.3.2 of IEC 60950: 1991 Ethernet Broadcast Storm Resiliency = less than or equal to 5000 [ARP] frames-per-second and less than or equal to 5 minutes duration
Shipped With Each Unit	2.5 mm screwdriver J180 Power Connector

Agency Approvals and Certifications

Please visit our website: www.prosoft-technology.com



Where Automation Connects™

Global Distribution

ProSoft Technology® products are distributed and supported worldwide through a network of over 500 distributors in over 50 countries. Our knowledgeable distributors are familiar with your application needs. For a complete list of distributors, go to our website at: www.prosoft-technology.com

Ordering Information

To order this product, please use the following:

**EtherNet/IP™ to
PROFINET® Device
Gateway for dual subnets**

PLX32-EIP-PND

To place an order, please contact your local ProSoft Technology distributor. For a list of ProSoft Technology distributors near you, go to: www.prosoft-technology.com and select *Where to Buy* from the menu.

Copyright © 2022 ProSoft Technology, Inc.

All Rights Reserved. 7/22/2022

For Public Use.

Specifications subject to change without notice.